

Ordered 30/1/14

## Ordering Details - Luminaire

**Code**

VSG Vista Grande

Code	Lamp Type
400XT	400W Clear High Output HPS Lamp (E40) Base
600XT	600W Clear High Output HPS Lamp (E40) Base (with Remote Gear as Standard)
400CMT	400W Clear 3000K Ceramic Metal Halide Lamp (E40) Base
400HTPSP	400W Clear 4000K Protected Pulse Start Metal Halide Lamp (E40) Base
450HTVP	450W Clear 4000K Protected Metal Halide Lamp (E40) Base

Code	Distribution
.HA	High Beam Asymmetric Distribution
.HS	High Beam Square Distribution

Code	Enclosure Type
.CR	Cone with Brim*
.ER	Elipse with Brim

Code	Colour
.C1	White (RAL 9016)
.C4	Graphite (RAL 7011)
.C6	Grey (RAL 7035)
.C7	Black (RAL 9004)
.C9	Silver (RAL 9006)
RAL****	RAL Colour (Customer Choice)

Code	Options
.T	Photocell
.R1	Remote Gear (Standard with 600XT Version).
.C	Enhanced Paint Finish
.A	Acrylic Bowl

VSG 400XT .HA .ER .C9 T Example

\*Concept development. Please contact Holophane for availability.

**Note:** Luminaires are supplied as standard for use on 240V 50Hz supply and complete with lamp.

For 220V 50Hz add prefix 'X' For 230V 50Hz add prefix 'N'

Other voltages available on request, timed ignitors as specials available on request.

**Note:** Maximum distance between remote control gear and lamp is 20m.

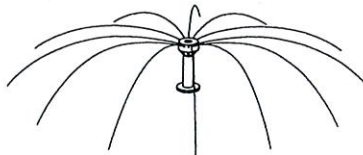
The cable must have a load capacitance of approx. 75pF/m or less.

### Luminaire Accessories

(Order separately for on-site installation by others)

**Code**

- HEL.CBEPAC Electrical Cut Out Box with Earth Plate for Armoured Cable (Fuse by others)
- HEL.BIRD.3 Bird Spikes, large



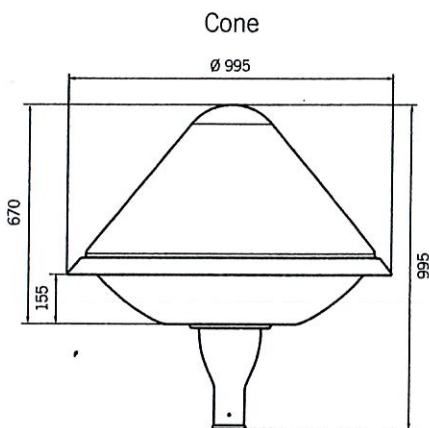
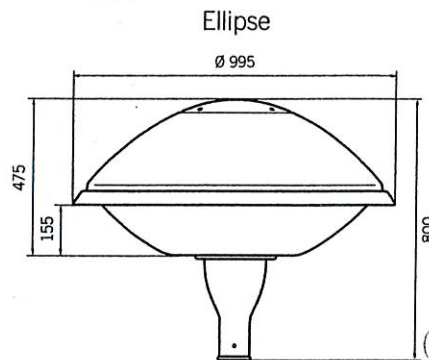




## Specification

The luminaire shall consist of a shallow profile polycarbonate/acrylic bowl fixed to a spun aluminium canopy. The body shall house integral control gear to suit a wide range of high intensity discharge lamps. The specular segmented optic produces either an asymmetric or symmetric distribution. The bowl shall be secured by a sealed gasket. The canopy and bowl shall be sealed by a silicone gasket ensuring IP65. The luminaire shall be designed in accordance with EN 60598-2-3 with a wide range of complementary brackets and columns.

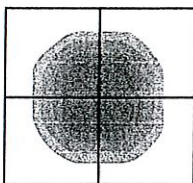
## Dimensions (mm)



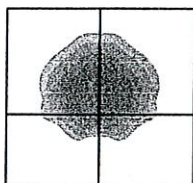
Note: Cone dimensions are concept only and may change.

## Light Distributions

Square



Asymmetric



Photometric data are available at [www.holophane.co.uk](http://www.holophane.co.uk)

## Weights & Thermal Data

Lamp Type	Weight (kg)	Minimum Operating Temperature (°C)	Maximum Ambient* Temperature (°C)
400W High Pressure Sodium	19.5	-30	45
600W High Pressure Sodium	13.5**	-30	40
400W Metal Halide	19.5	-20	40
450W Metal Halide	17	-20	30

\* The maximum ambient temperatures stated are for exterior use only.

For interior use deduct 10°C from the temperature stated as per EN60598-2-3.

\*\* 600W version has loose remote control gear as standard.

## Columns & Brackets - Catalogue numbers include any necessary brackets / adaptors

Code						
VSGB	Vista Grande					
	<b>Code</b>	<b>Nominal Column Height</b>				
	8	8m				
	10	10m				
	12	12m				
	<b>Code</b>	<b>No. of Luminaires</b>				
	.1A	One (Not Available for 12m Columns)				
	.2A	Two				
	<b>Code</b>	<b>Twin Bracket Colour (Not Needed if Post Top Single Mounting)*</b>				
	.C1	White (RAL 9016)				
	.C4	Graphite (RAL 7011)				
	.C6	Grey (RAL 7035)				
	.C7	Black (RAL 9004)				
	.C9	Silver (RAL 9006)				
	RAL****	RAL Colour (Customer Choice)				
	<b>Code</b>	<b>Optional Base Type**</b>				
	.FB2	Flange Base (8m-10m)				
	.FB3	Flange Base (12m)				
	<b>Code</b>	<b>Optional Paint Finish***</b>				
	.P1	Undercoat Black				
	.P2	Undercoat to Client's Choice****				
<b>VSGB</b>	10	.1A	.C9	.FB2	P2	Example

\* Standard brackets are manufactured from mild steel and etched primed.

\*\* Columns are supplied for direct embedment as standard.

\*\*\* Columns are supplied galvanised as standard.

\*\*\*\* Please specify final RAL paint finish for closest undercoat match.

Final coat supplied and applied by others.

### Column & Bracket Accessories

(Order separately for on-site installation by others)

#### Code

**HEL.FS2** J-Anchor Bolts for Flange Base  
Column (8m)

**HEL.FS3** J-Anchor Bolts for Flange Base  
Columns (10-12m)

